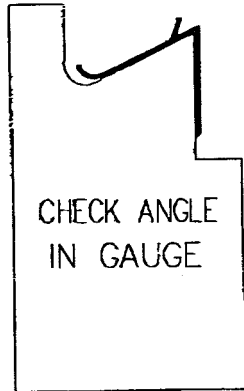
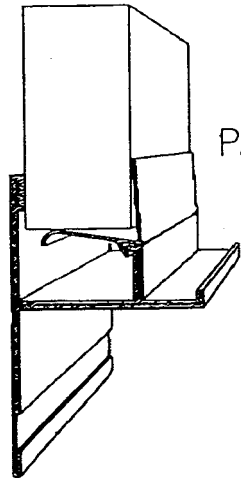


NOTES:

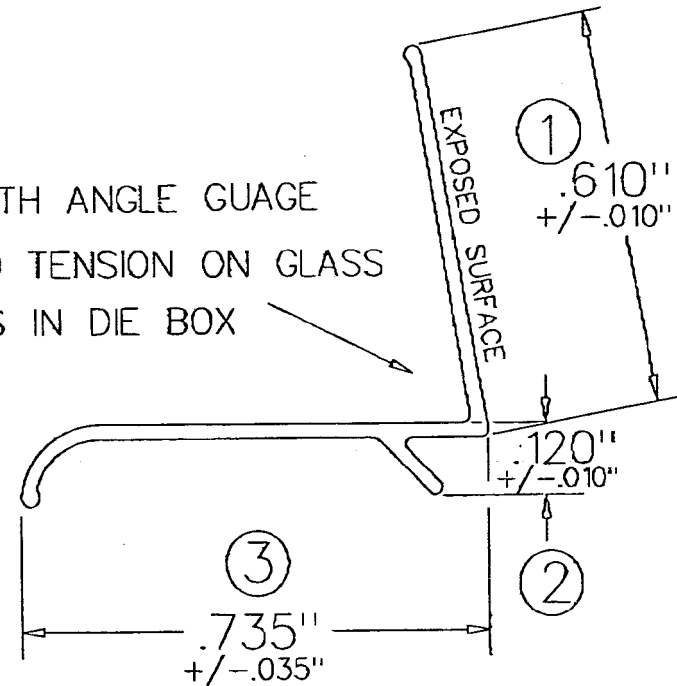
DIM 3 .770" MAX!



CHECK PART WITH ANGLE GAUGE FOR SNAP FIT AND TENSION ON GLASS CK. GAUGE IS IN DIE BOX



PART MUST SNAP INTO FIT-TO AND NOT SLIDE EASILY



CUT LENGTH		TYP. WALL	
12' +1'/-0"		.030" +/- .005"	
REEL LENGTH		BOW TOLERANCE	
N/A		1/16" PER FOOT	
DEPT. HEAD	ENGINEERING MANAGER	DATE	

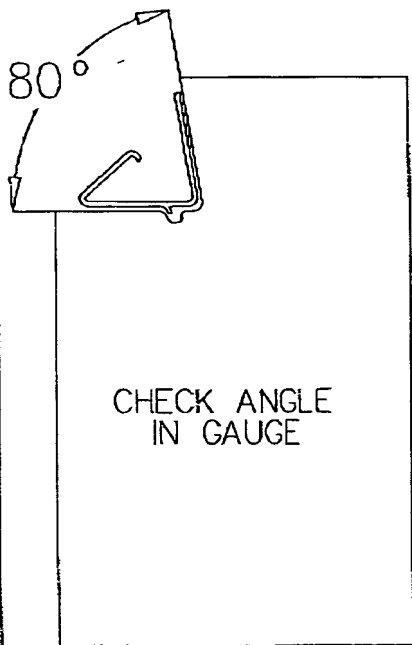
E		
D		
C		
B	ADDED FIT-TO	07/08/03 DB-
A	REDRAWN & REDIMENSIONED	10/08/02 DB-
REV	DESCRIPTION	DATE
REVISIONS		

Small L-Bead

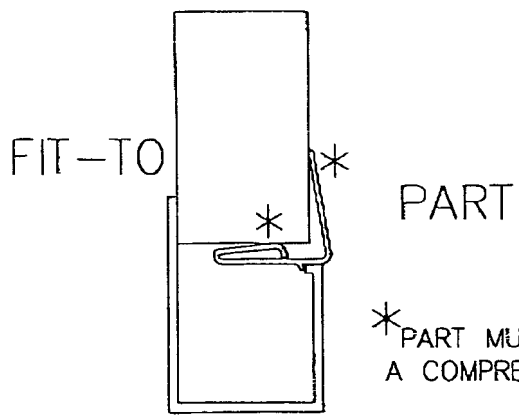
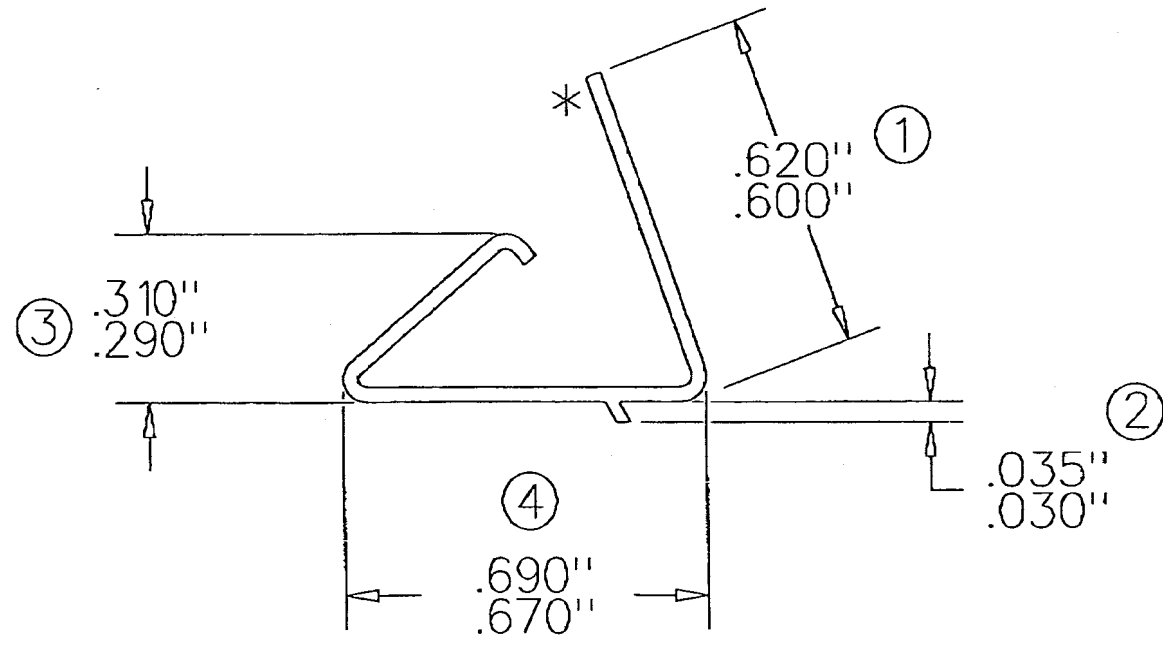
Product #1005

No part of this drawing may be transferred, sold licensed, reproduced or transmitted in any form or by any means, electronic or mechanical, including photocopying, recording, or by any information storage and retrieval system without written permission from BUNZL Extrusion Tacoma, Inc., except for use by authorized customers of BUNZL Extrusion Tacoma, Inc., in connection with work performed by BUNZL Extrusion Tacoma, Inc. for those customers.
Copyright © 2002 by BUNZL Extrusion Tacoma, Inc.

TYP. WALL .025" TO .030"



* JIG LEG OVER FOR
COMPRESSION FIT



* PART MUST HAVE
A COMPRESSION FIT

IF PART HAS TOO
MUCH COMPRESSION
THE PART WILL BREAK
THE CUSTOMERS GLASS

E		
D		
C		
B		
A		
REV.	DESCRIPTION	DATE
REVISIONS		

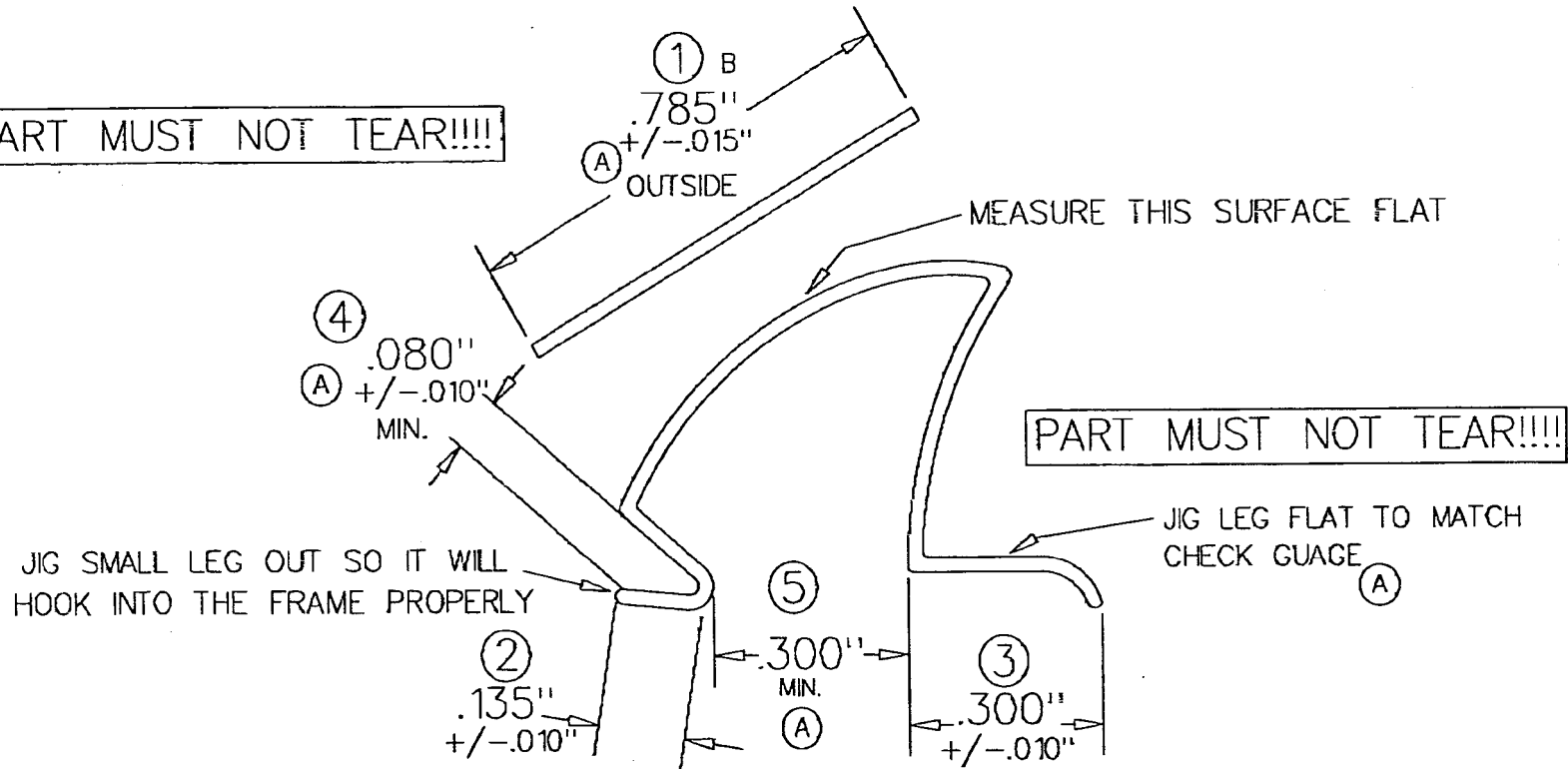
Small T-Lock

Product #1154

CUSTOMER APPROVAL	DATE

(A) IMPORTANT → PART MUST CONFORM CLOSELY TO THE "FIT-TO" GAUGE
 PART MUST HAVE GOOD SURFACE AND NOT BE BRITTLE

PART MUST NOT TEAR!!!!



PART MUST NOT TEAR!!!!

CHECK FOR TEAR LINES AT ALL INTERSECTIONS
 NO EXECPTIONS !!! THIS IS CRITICAL !!!

CUT LENGTH		TYP. WALL	
12 FT. +1" -0"		.022" +/--.003"	
REEL LENGTH		BOW TOLERANCE	
		1/8" / FT.	
DEPT. HEAD	ENGINEERING MANAGER	DATE	

E		
D		
C	RE-DIMENSIONED DWG., ADDED NEW BORDER	1/22/02 PF
B	WAS .770" TO .780"	2-11-99
A	ADDED DIM 4 AND TEXT	8/18/97
REV	DESCRIPTION	DATE

REVISIONS

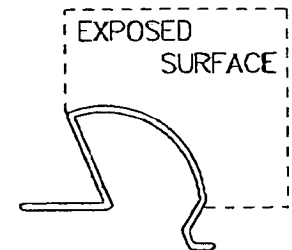
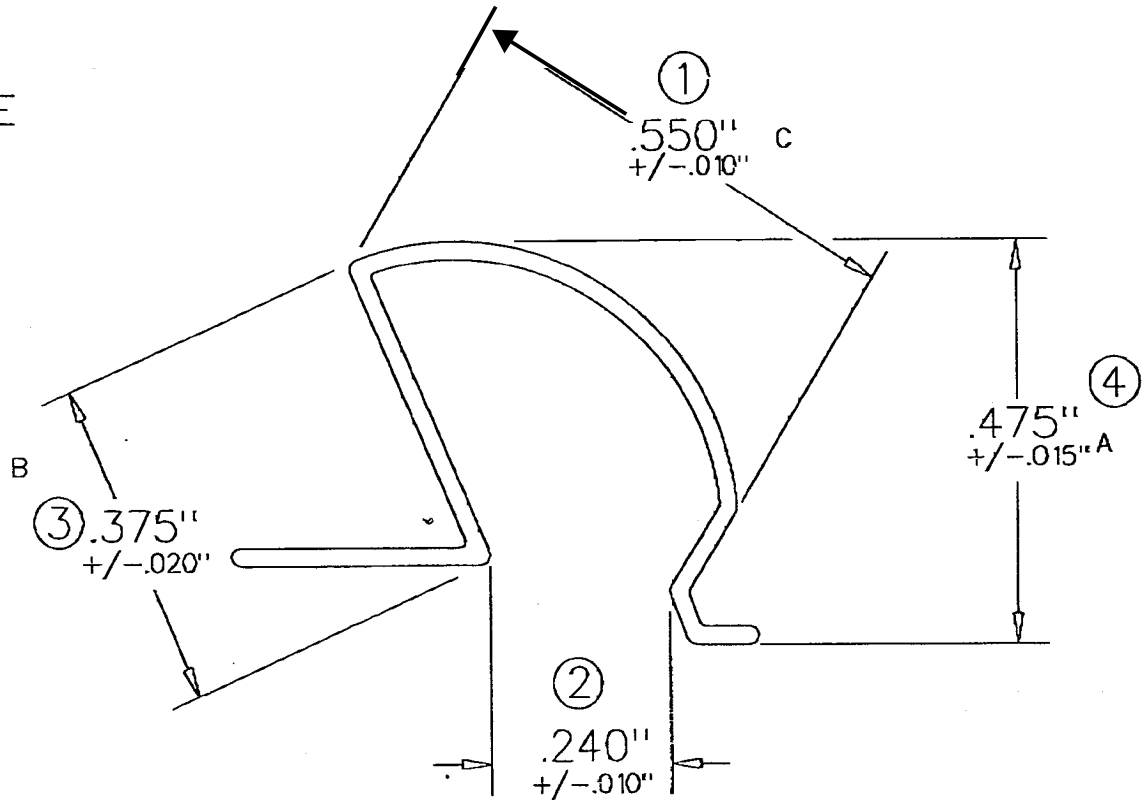
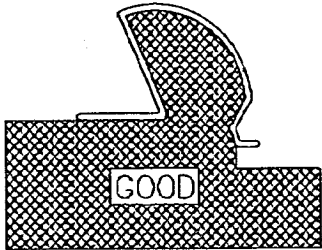
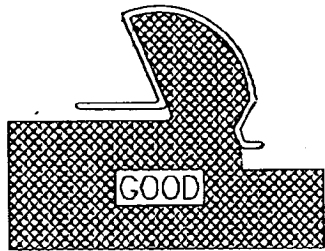
Large Round Bead

Product #1050

No part of this drawing may be transferred, sold, licensed, reproduced or transmitted in any form or by any means, electronic or mechanical, including photocopying, recording, or by any information storage and retrieval system without written permission from BUNZL Extrusion Tacoma, Inc., except for use by authorized customers of BUNZL Extrusion Tacoma, Inc., in connection with work performed by BUNZL Extrusion Tacoma, Inc. for those customers.

Copyright © 2002 by BUNZL Extrusion Tacoma, Inc.

MUST NOT HAVE ANY WRINKLES
MUST CONFORM TO CHECK GAUGE



CUT LENGTH		TYP. WALL
12 ft. $+1/2"/-0"$.022" $\pm .003/-004"$
REEL LENGTH		BOW TOLERANCE
N/A		1/16" / FT.
DEPT. HEAD	ENGINEERING MANAGER	DATE

E		
D	RE-DIMENSIONED, ADDED EXPOSED SURFACE	9/13/01 PF
C	ADDED DIMENSION	12/3/97
B	ADDED DIMENSION	12/3/97
A	ADDED DIMENSION	12/3/97
REV	DESCRIPTION	DATE

REVISIONS

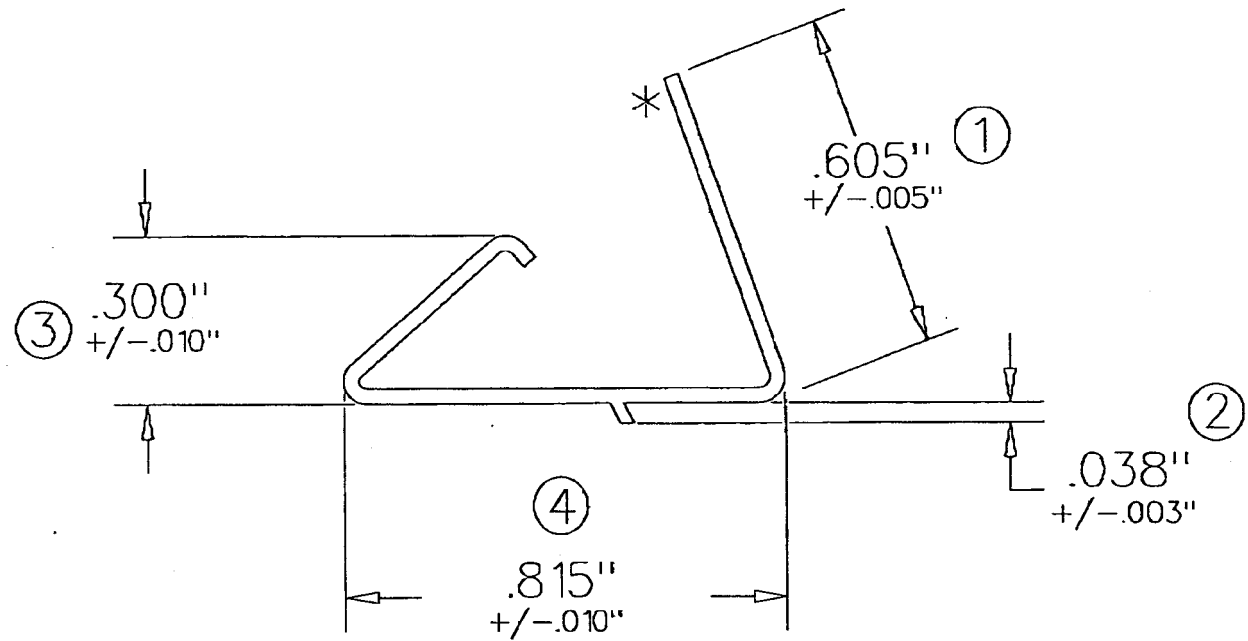
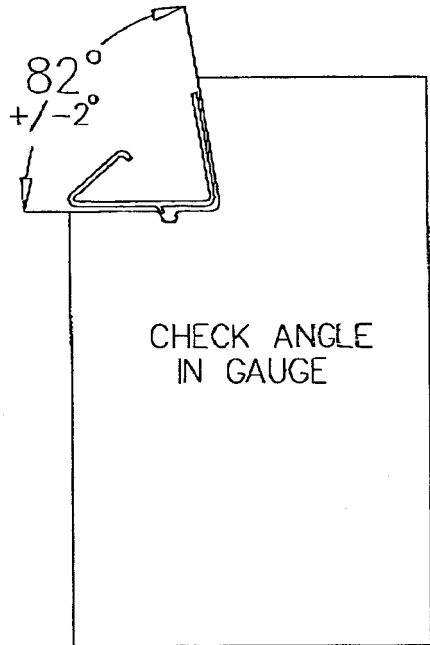
Small Round Bead

Product #1004

No part of this drawing may be transferred, sold, licensed, reproduced or transmitted in any form or by any means, electronic or mechanical, including photocopying, recording, or by any information storage and retrieval system without written permission from BUNZL Extrusion Tacoma, Inc., except for use by authorized customers of BUNZL Extrusion Tacoma, Inc., in connection with work performed by BUNZL Extrusion Tacoma, Inc. for those customers.
Copyright © 2001 by BUNZL Extrusion Tacoma, Inc.

NOTES

1. PARTS MUST BE STRAIGHT
2. *JIG LEG OVER FOR COMPRESSION FIT



CUT LENGTH		TYP. WALL
12' +1" -0"		.028" +/- .003"
REEL LENGTH		BOW TOLERANCE
+1' -0"		1/16" / FT.
DEPT. HEAD	ENGINEERING MANAGER	DATE

E		
D		
C		
B		
A	RE-DIMENSIONED	7/01/02 AF
REV	DESCRIPTION	DATE

REVISIONS

Large T-Lock

Product #1155

No part of this drawing may be transferred, sold licensed, reproduced or transmitted in any form or by any means, electronic or mechanical, including photocopying, recording, or by any information storage and retrieval system without written permission from BUNZL Extrusion Tacoma, Inc., except for use by authorized customers of BUNZL Extrusion Tacoma, Inc., in connection with work performed by BUNZL Extrusion Tacoma, Inc. for those customers.
Copyright © 2002 by BUNZL Extrusion Tacoma, Inc.